

RS 3 Sportback

RS 3 Sedan

March 2025

The Audi RS 3 Sportback and Sedan.

The Audi RS 3 offers driving dynamics at the highest level. With the upgrade, the compact top model is even sportier: the powerfully designed front and wheels in motorsport-design, visually enhance the dynamics, acoustically emphasized by the distinctive throaty roar of the five-cylinder engine with its signature firing sequence.

This pricelist will make it easy for you to build your RS 3, taking you through all the option choices. The online configurator is also available to build your dream car.





Engines

Engine	Capacity	Fuel type	Transmission	Power output (kW)	Torque (Nm)	Fuel consumption (l/100 km)			CO ₂ emissions (g/km)	0 – 100 km/h (sec)	Top speed (km/h)	RRP*
						Urban	Extra urban	Combined				
RS 3 Sportback	2480	Petrol	S tronic	294	500	12.1	7.1	9.0	204	3.8	250	R 1,498,200
RS 3 Sportback Carbon Edition	2480	Petrol	S tronic	294	500	12.1	7.1	9.0	204	3.8	250	R 1,591,900
RS 3 Sedan	2480	Petrol	S tronic	294	500	12.0	7.0	8.9	202	3.8	250	R 1,528,200
RS 3 Sedan Carbon Edition	2480	Petrol	S tronic	294	500	12.0	7.0	8.9	202	3.8	250	R 1,610,700

Fuel consumption and CO₂ data applies to the German Market. The specified values are determined in accordance with certain test procedures. The specifications do not refer to an individual vehicle but serve only as a basis for comparing the different types of vehicles. In addition, the consumption figures achieved during normal driving may differ from the test values, depending in particular on special equipment fitted, vehicle loading, personal driving style, road and traffic conditions, environmental factors and conditions of the car.

* RRP is inclusive of VAT, CO₂ emissions tax and an optional 5 year/100,000km Audi Freeway Plan



Standard Equipment | RS 3 Sportback and Sedan

Wheels:

- ▶ Audi Sport wheels, 10-cross-spoke, Black Metallic
- ▶ Tyre pressure monitoring system
- ▶ Tyre repair kit
- ▶ Tyres: 9.0J|8.0J x 19 265/30 (front) |245/35 (rear) R19

Performance & suspension:

- ▶ quattro
- ▶ RS sport exhaust system
- ▶ RS sport suspension
- ▶ RS steel brakes with brake calipers in Gloss Red
- ▶ Start-stop system

Lighting:

- ▶ Darkened matrix LED headlights with dynamic light sequencing and dynamic turn signal
- ▶ Entry LED with RS projection, front

Safety and convenience

- ▶ Adaptive cruise control
- ▶ Advanced driver attention & drowsiness monitor
- ▶ Airbags, front; with passenger deactivation
- ▶ Anti-theft alarm
- ▶ Audi pre sense basic
- ▶ Audi pre sense front

- ▶ Audi drive select
- ▶ Convenience key with Safelock
- ▶ Convenience opening for luggage compartment lid
- ▶ First-aid kit with warning triangle
- ▶ Hold assist
- ▶ i-Size and top tether for the outer rear seats
- ▶ Lane departure warning
- ▶ Park assist with parking system plus
- ▶ Proactive occupant protection, front, side and rear
- ▶ Progressive steering
- ▶ Reversing camera
- ▶ Side airbags, front and head airbag system
- ▶ Side assist, exit warning & rear cross-traffic assist

Exterior:

- ▶ Black Styling package plus
- ▶ Exterior mirror housings in Black
- ▶ Exterior mirrors, electrically adjustable, heated & folding, automatically dimming on both sides
- ▶ Panoramic glass roof
- ▶ Rear seat backrest, split-folding
- ▶ RS door sill trims

Interior Equipment

- ▶ 2-zone deluxe automatic air conditioning
- ▶ 4-way lumbar support for the front seats

- ▶ Ambient Lighting package pro
- ▶ Centre armrest, front
- ▶ Child-proof lock, electrically operated
- ▶ Dinamica microfiber/artificial leather combination with rhombus pattern & RS embossing
- ▶ Front seats, electrically adjustable
- ▶ Headlining in cloth, Black
- ▶ Inlay, Carbon Atlas, Structure
- ▶ Interior mirror, automatically dimming
- ▶ Interior trims in vanadium look
- ▶ Sport contour steering wheel, 3-spoke, flat top & bottom with multifunction, shift paddles & control satellites
- ▶ Sport seats, front
- ▶ Stainless steel pedals
- ▶ Storage and Luggage Compartment package

Audio and communications

- ▶ Audi connect emergency call & service
- ▶ USB ports with charging function in the rear
- ▶ Audi phone box light
- ▶ Audi smartphone interface
- ▶ Audi virtual cockpit plus with additional RS layout
- ▶ SONOS 3D premium sound system



RS 3 Sportback and Sedan Carbon Edition

- ▶ Exterior mirror housings in carbon
- ▶ Roof edge spoiler in carbon
- ▶ Tailgate spoiler in carbon
- ▶ RS exterior features in carbon/Gloss Black
- ▶ Engine compartment cover with carbon trim



Paint | RS3

			RS3	RS3 Carbon Edition
Z9Z9		Arkona White	No cost	No cost
M4M4		District Green, metallic	No cost	No cost
2Y2Y		Glacier White, metallic	No cost	No cost
0E0E		Mythos Black, metallic	No cost	No cost
2D2D		Navarra Blue, metallic	No cost	No cost
B1B1		Progressive Red, metallic	No cost	No cost
R1R1		Python Yellow, metallic	R 14,700	R 14,700
9W9W		Ascari Blue, metallic	R 20,100	R 20,100
6Y6Y		Daytona Grey, pearlescent	R 14,700	R 14,700
0000		Polar Matte Effect, Audi exclusive	R 79,000	R 79,000
Q0Q0		Audi exclusive paint finish*	R 112,000	R 112,000

Options are subject to availability and may extend time taken for delivery. All the colour swatches on this page are matched as accurately as possible to the actual paint colours used. Audi South Africa cannot guarantee that colours shown are 100% accurate. Visit your local Audi Centre for a more accurate colour swatch.

*Audi exclusive paint is subject to factory approval. Visit your local Audi Centre for colour samples.



Wheels & tyres | RS 3

		RS 3 Sportback	RS 3 Sportback Carbon Edition	RS 3 Sedan	RS 3 Sedan Carbon Edition
64T	Wheels, 10-cross-spoke, Black Metallic, gloss turned finish, 9.0J 8.0Jx19, 265/30 245/35 R19 tyres	S	S	S	S
52W	Wheels, 5-Y-spoke, Matt Black, 9.0J 8.0J x 19, 265/30 245/35 R19 tyres	No cost	No cost	No cost	No cost
64U	Wheels, 10-cross-spoke, Silk Matt Gray, 9.0J 8.0J x 19, 265/30 245/35 R19 tyres	R 2,000	R 2,000	R 2,000	R 2,000
H0L	Sport tyres, Pirelli P Zero Trofeo R, 265/30 245/35 R19	R 16,200	R 16,200	R 16,200	R 16,200

19"



Standard
64T



52W



64U



Optional extras | RS 3

<u>Equipment packages:</u>		RS 3 Sportback	RS 3 Sportback Carbon Edition	RS 3 Sedan	RS 3 Sedan Carbon Edition
PG6	Comfort package pro The comfort package pro includes: <ul style="list-style-type: none"> · front seats, electrically adjustable with memory function for the driver seat · exterior mirrors, electrically adjustable, heated and folding, automatically dimming, with memory function · interior mirror, automatically dimming, frameless 	R 3,400	R 3,400	R 3,400	R 3,400
PYH	Infotainment package pro The navigation package includes: <ul style="list-style-type: none"> · MMI navigation plus with MMI touch · Audi virtual cockpit plus with additional RS layout · Audi connect navigation & infotainment plus · Audi Application Store and smartphone interface · SONOS 3D premium sound system · head-up display 	R 31,000	R 31,000	R 31,000	R 31,000
PYC	Climate Control package plus The climate control package plus includes: <ul style="list-style-type: none"> · 3-zone deluxe automatic air conditioning · seat heating, front 	R 13,000	R 13,000	R 13,000	R 13,000
PA3	RS Dynamic package The RS dynamic package includes: <ul style="list-style-type: none"> · adaptive suspension with Audi drive select including damper control (DCC) and vehicle lowered by 10 mm compared with the S model · top speed increased to 290 km/h, electronically regulated (forces ceramic brakes - PC6/PC8/PC9 - at additional cost)	R 154,000	R 154,000	R 154,000	R 154,000



Optional extras | RS 3

<u>Equipment packages:</u>		RS 3 Sportback	RS 3 Sportback Carbon Edition	RS 3 Sedan	RS 3 Sedan Carbon Edition
PEE	RS Design package, Green plus The RS design package, green plus includes the following items from the RS design package, green: · sport contour steering wheel, 3-spoke, flat top and bottom, with hands-on-wheel detection ¹ , multifunction, shift paddles and control satellites · steering wheel rim in Dinamica, black with contrasting stitching and 12 o'clock marker in micrommata green · seat belts in black with green edge · floor mats in black with contrasting stitching in micrommata green and RS logo at front	R 18,200	R 18,200	R 18,200	R 18,200
PEJ	RS Styling package plus, Red The RS design package, red plus includes the following items from the RS design package, red: · sport contour steering wheel, 3-spoke, flat top and bottom, with hands-on-wheel detection ¹ , multifunction, shift paddles and control satellites · steering wheel rim in Dinamica, black with contrasting stitching and 12 o'clock marker in express red · seat belts in black with red edge · floor mats in black with contrasting stitching in express red and RS logo on front mats	R 18,200	R 18,200	R 18,200	R 18,200
<u>Exterior equipment:</u>		RS 3 Sportback	RS 3 Sportback Carbon Edition	RS 3 Sedan	RS 3 Sedan Carbon Edition
PC6	RS ceramic brake system with brake calipers in Anthracite Gray 19-inch high-performance brake system with carbon-fiber-reinforced ceramic brake discs at the front, front brake calipers in anthracite grey, with "Audi ceramic" logo.	R 95,000	R 95,000	R 95,000	R 95,000
PC8	RS ceramic brake system with brake calipers in Blue 19-inch high-performance brake system with carbon-fiber-reinforced ceramic brake discs at the front, front brake calipers in blue, with "Audi ceramic" logo	R 95,000	R 95,000	R 95,000	R 95,000
PC9	RS ceramic brake system with brake calipers in Red 19-inch high-performance brake system with carbon-fiber-reinforced ceramic brake discs at the front, front brake calipers in red, with "Audi ceramic" logo.	R 95,000	R 95,000	R 95,000	R 95,000



Optional extras | RS 3

<u>Exterior equipment:</u>		RS 3 Sportback	RS 3 Sportback Carbon Edition	RS 3 Sedan	RS 3 Sedan Carbon Edition
6H4	Roof in black	---	---	R 8,100	R 8,100
6FQ	Carbon mirror housings	R 8,100	S	R 8,100	S
6FA	Mirror housings in body colour (force if OE OE is selected)	No cost	No cost	No cost	No cost
5J5	Roof edge spoiler in carbon	R 27,000	S	---	---
5J2	Tailgate spoiler in carbon	---	---	R 15,800	S
<u>Interior equipment:</u>		RS 3 Sportback	RS 3 Sportback Carbon Edition	RS 3 Sedan	RS 3 Sedan Carbon Edition
3L3	Front seats, manually adjustable	No cost	No cost	No cost	No cost
Q4P	RS bucket seats	R 40,500	R 40,500	R 40,500	R 40,500
N1Y	Dinamica microfiber/leather combination with honeycomb pattern and RS logo in the front seat backrests	R 13,000	R 13,000	R 13,000	R 13,000
N1H	Fine Nappa leather with honeycomb pattern and RS embossing	R 20,200	R 20,200	R 20,200	R 20,200
5MB	Inlay and accent surfaces, Carbon Atlas, Matt	R 3,100	R 3,100	R 3,100	R 3,100
7TD	Inlay, Dinamica microfiber, Black	No cost	No cost	No cost	No cost
4GF	Heat-insulating glazing for windshield	No cost	No cost	No cost	No cost
4X4	Side airbags, front and rear and head airbag system	R 7,000	R 7,000	R 7,000	R 7,000



Important information

Welcome to Audi

Audi Freeway Plan | Motoring Peace of Mind

There can be no better motoring peace of mind than knowing that your car will be serviced, maintained and repaired, should this prove necessary, at no cost to you. Thanks to Audi Freeway Plan, that peace of mind could be yours.

The Audi Freeway Plan absorbs all maintenance and service costs, with the exception of between-service top-up fluids, fuel, cracked or broken glass, and tyres.

Recommended retail pricing is inclusive of an optional 5 year/100,000 km Audi Freeway Plan on all new Audi vehicles.

Top-up options to extend maintenance are available at extremely competitive rates. Audi has specially designed the Audi Freeway Plan for easy operation on the part of the owner. Making an appointment with any one of our approved Audi Servicing Dealers can effect regular servicing and maintenance as well as repairs (with the exception of accident damage).

All work is handled by the relevant service department, which will liaise directly with the Audi Freeway Plan Maintenance Unit. No extra effort or payment is required from the Audi owner. The Audi Freeway Plan is registered with the vehicle and as such is transferable to the new owner should the car be sold before the Audi Freeway Plan has expired, giving added resale value. The Audi Freeway Plan is available in addition to Audi's standard one-year/unlimited distance vehicle warranty. The Audi Freeway Plan is subject to certain exclusions, covers any repairs necessary after the expiry of the standard warranty.

Audi Assist | Emergency and Personal Assistance

Audi Assist is a programme whereby Audi of South Africa and its Dealer Network pledge to provide you with peace of mind motoring by providing the infrastructure to support a countrywide emergency service 24 hours a day, every day.

The programme is known as Audi Assist and operates within the borders of South Africa as well as Namibia and Botswana. The objective of the programme is to ensure on the spot roadside assistance offered by a fully equipped and trained Audi technician.

The primary focus is to get you mobile in your own vehicle. Where a roadside repair cannot be effected and the vehicle needs to be towed to the nearest Audi dealer, you and the occupants of the vehicle will be transported to a place of safety in the dealer's roadside assistance vehicle.

Contact details within South Africa:
086 043 4838

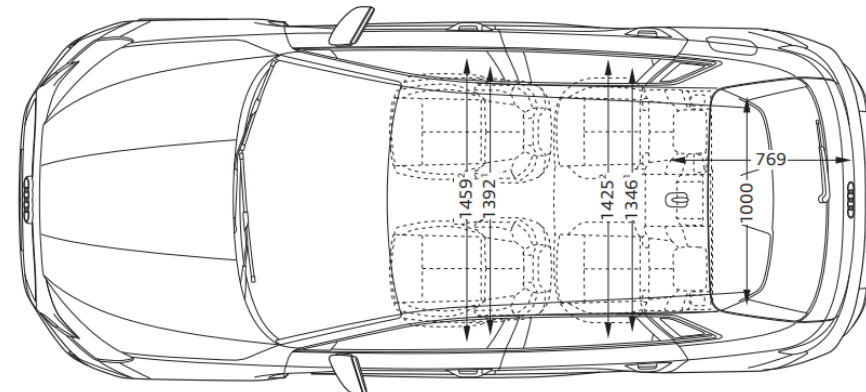
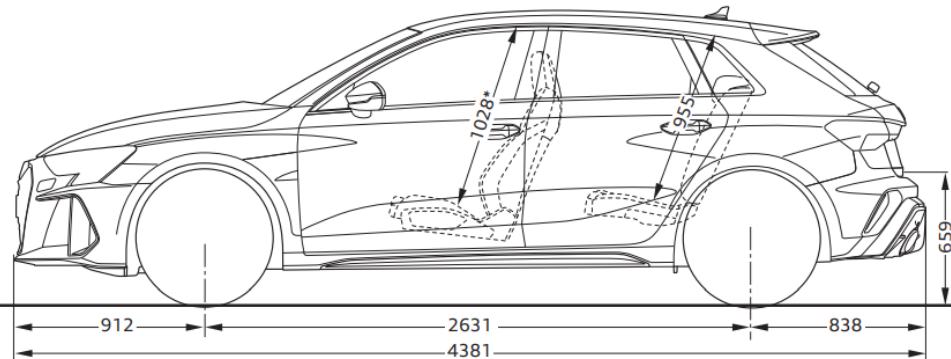
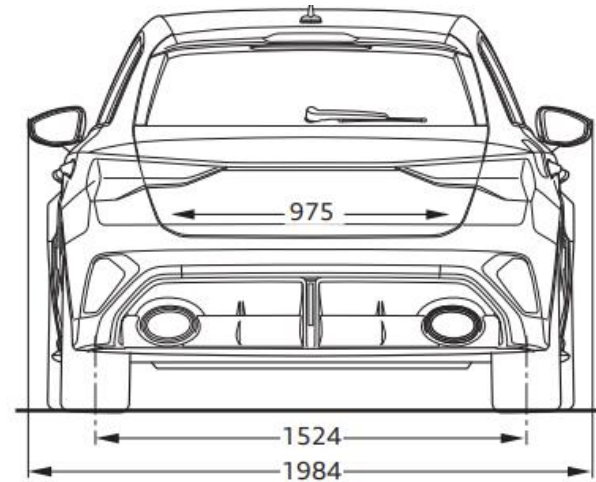
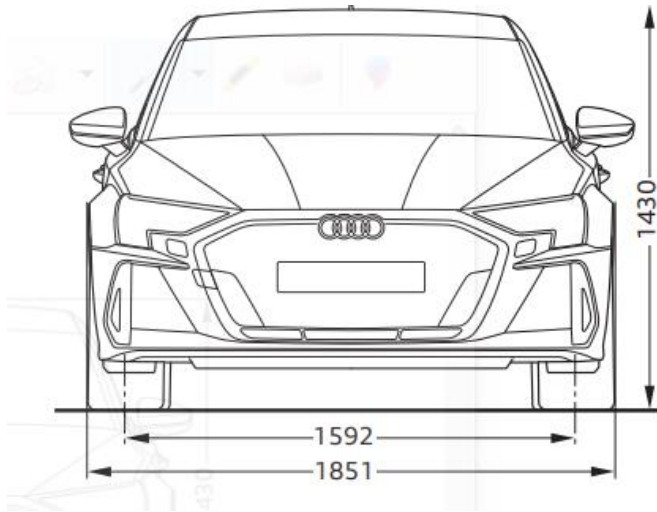
Contact details for neighbouring states:
+27 41 994 5616

24 hours a day, 7 days a week
Vehicle model and VIN number will be required.

RS 3



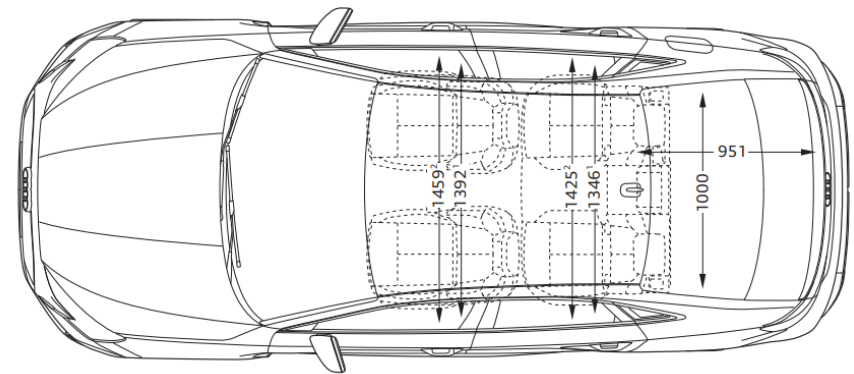
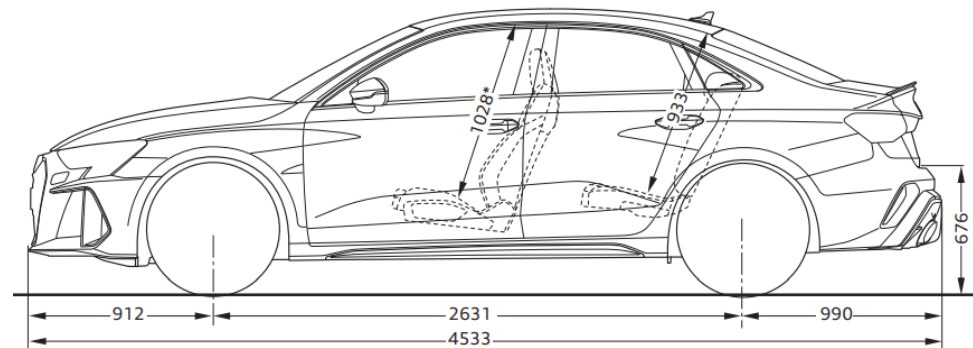
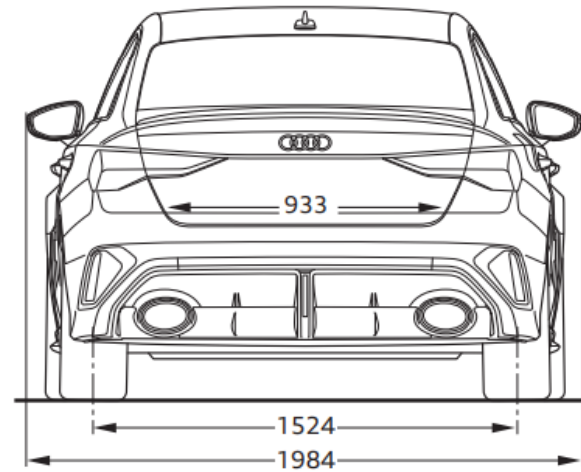
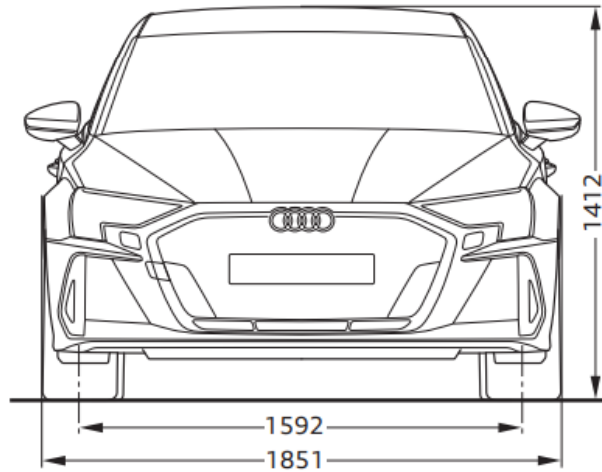
Audi RS 3 Sportback Dimensions All the measurements you need



Audi RS 3 Sportback luggage compartment capacity = 282l
With rear seats folded = 1104l



Audi RS 3 Sedan Dimensions All the measurements you need



Audi RS 3 Sedan luggage compartment capacity = 321l

RS 3



Information in this pricelist

We've done all we can to make the prices, specifications, technical details and all other information you see in this pricelist accurate at the time of publication. We reserve the right to change prices or specification at any time. All prices shown include VAT, which is currently charged at 15%. Recommended retail pricing is not binding on the dealer and is inclusive of an optional 5 year/100,000km Audi Freeway Plan.

Please check model availability and full specification details with your Audi Dealership prior to ordering. Neither Audi South Africa nor Audi Dealers can accept contractual responsibility for your reliance on the information contained in this pricelist. Performance figures and specifications relating to Audi vehicles are indicative only and performance cannot be guaranteed. Performance figures and specifications may be updated from time to time, when new test results or other information become available. Your local Audi Dealership can always provide you with the most up-to-date information available. Written and visual depictions (including photographs) of vehicles, are for illustrative purposes only and should not be relied upon. Some illustrations may not accurately reflect South African specifications (including paint and trim colours) and may not be available. If in doubt, always contact your local Audi Dealership.