



**A5 Sedan**

**August 2025**



# Designed for the inspired

The all-new Audi A5 Sedan makes its entrance with a sharpened design language that doesn't just hint at progress, it announces it. It stands as a bold testament to refined design, making a striking statement with every glance. By artfully blending innovative technology with practicality, the A5 Sedan foreshadows the dawn of a new era.

This pricelist will make it easy for you to build your A5 Sedan, taking you through all the model, engine and option choices. The online configurator is also available to build your dream car.

# A5 Sedan



## Engines

Sedan	Transmission	Power (kW)	Torque (Nm)	0-100km (s)	Top Speed Km/h	Urban l/100km	Extra Urban l/100km	Combined l/100km	Combined CO2	RRP
A5 Sedan TFSI 146kW S line	S tronic	146	340	7.8s	246	10.2	5.9	7.5	171	R1,123,000
A5 Sedan TFSI 146kW Black Edition	S tronic	146	340	7.8s	246	10.2	5.9	7.5	171	R1,166,800
A5 Sedan TFSI 200kW quattro S line	S tronic	200	400	6.1s	250	10.9	6.5	8.1	186	R1,238,000
A5 Sedan TFSI 200kW quattro Black Edition	S tronic	200	400	6.1s	250	10.9	6.5	8.1	186	R1,281,800

Fuel consumption and CO<sub>2</sub> data applies to the German Market. The specified values are determined in accordance with certain test procedures. The specifications do not refer to an individual vehicle but serve only as a basis for comparing the different types of vehicles. In addition, the consumption figures achieved during normal driving may differ from the test values, depending in particular on special equipment fitted, vehicle loading, personal driving style, road and traffic conditions, environmental factors and conditions of the car. Pricing and specification is valid for vehicles produced from model year 2025 onwards.

\* RRP is inclusive of VAT, CO<sub>2</sub> emissions tax and an optional 5 year/100,000km Audi Freeway Plan



## Standard Equipment | A5 S line

### Wheels

- > 19" Wheels, 5-twin-V-spoke, Graphite Grey, gloss turned finish, 8.0J x 19, 245/40 R19 tyres
- > Disk brakes, front, 17-inch
- > Disk brakes, rear, 16-inch
- > Tyre pressure monitoring system
- > Tyres 245/40 R19 98Y XL with run-flat properties

### Performance and suspension

- > Audi drive select
- > S sport suspension

### Lighting

- > LED headlights plus
- > LED rear lights pro
- > High-beam control

### Safety and convenience

- > Interaction (head) airbag between the front seats
- > Adaptive cruise control
- > Anti-theft alarm
- > Lane departure warning
- > Luggage compartment lid, electrically opening and closing
- > Park assist plus
- > Parking system plus with distance display
- > Rear view camera

### Exterior Equipment

- > Body-coloured door handles
- > Exterior mirror housings in body colour
- > Exterior mirrors, electrically adjustable, heated and folding, automatically dimming on both sides
- > Projection light in the exterior mirrors
- > Window trim strips in aluminum look

### Interior Equipment

- > 3-zone deluxe automatic air conditioning
- > 4-way lumbar support for the front seats
- > Accent surfaces and control buttons, Gloss Black
- > Ambient lighting package plus
- > Comfort centre armrest, front
- > Door sill trims with aluminum inlays, front, illuminated
- > First aid kit with warning triangle
- > Floor mats, front and rear
- > Front seats, electrically adjustable
- > Inlays, Matt Brushed Aluminum, Silver
- > Interior mirror, automatically dimming
- > Interior trims in aluminum look
- > Interior with sport seats in leather/artificial leather combination, Black
- > ISOFIX and top tether for outer rear seats
- > Leather/artificial leather combination
- > Power-operated child safety lock
- > Sport seats, front
- > Twin-spoke leather steering wheel with multifunction and shift paddles
- > Upper and lower interior elements with contrasting stitching
- > Wraparound interior elements in artificial leather

### Audio and communications

- > Audi Application Store and smartphone interface
- > Audi connect emergency call & service with Audi connect remote & control
- > Audi connect navigation & infotainment
- > Audi sound system
- > Audi virtual cockpit plus (11.9-inch)
- > MMI experience plus (14.5-inch) with navigation system
- > Phone compartment with inductive charging function
- > USB ports with charging function in the first and second seat row

# A5 Sedan



## Standard Equipment | A5 Black Edition

In addition to S line

- > 19" Audi Sport wheels, 5-twin-spoke, Black, 8.5J x 19, 245/40 R19 tyres (with run-flat properties)
- > Black styling package:
  - > Exterior mirror housing black
  - > Window trim, darkened
  - > Audi rings front and rear in anthracite grey
  - > Black door handles
  - > Chrome plated tailpipe trims, darkened
  - > Side sill strip black
  - > Privacy glazing for the rear windows
  - > Red brake calipers





## Technology Packages

### Tech plus package (PQ6)

- > Front cross-traffic assist
- > 360-degree camera
- > Swerve assist and front turn assist
- > Side airbags, for outer rear seats
- > Pre sense front, side and rear
- > Matrix LED headlights
- > Headlight cleaning system
- > Convenience key
- > Digital key
- > Side assist and exit warning, rear cross traffic assist and rear turn assist
- > Rear occupant detection

MMI front passenger display (JH1) available with PQ6 at additional cost

### Tech pro package (PQ7)

#### In addition to the contents of Tech plus:

- > Digital OLED rear lights
- > MMI front passenger display
- > S sport suspension with damper control
- > Seat heating front and rear
- > Electric steering wheel adjustment
- > Steering wheel heating

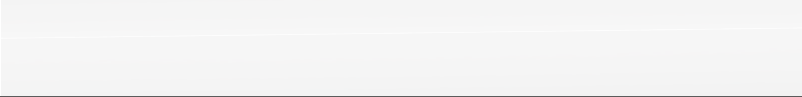


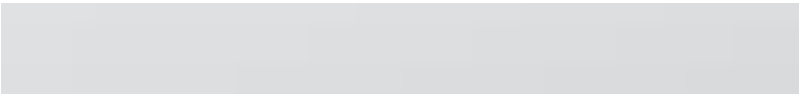



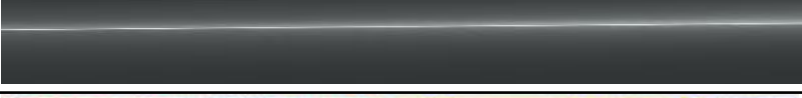

### MMI experience pro (PYH)

- > Head-up display
- > Bang & Olufsen sound system with 3D sound
- > USB interface with higher charging capacity for fast charging of external mobile devices including business laptops/tablets.

# A5 Sedan



## Paint | A5

			A5 TFSI S line	A5 TFSI Black Edition
Z9Z9		Arkona White	No cost	No cost
0E0E		Mythos Black, metallic	No cost	No cost
5U5U		Firmament Blue, metallic	No cost	No cost
2Y2Y		Glacier White, metallic	No cost	No cost
H3H3		Horizon Blue, metallic	No cost	No cost
S5S5		Grenadine Red, metallic	No cost	No cost
9W9W		Ascari Blue, metallic	R 27,500	R27,500
6Y6Y		Daytona Grey, pearlescent	R 14,700	R 14,700
Q0Q0		Audi exclusive paint finish*	R 97,000	R 97,000

Options are subject to availability and may extend time taken for delivery. All the colour swatches on this page are matched as accurately as possible to the actual paint colours used. Audi South Africa cannot guarantee that colours shown are 100% accurate. Visit your local Audi Centre for a more accurate colour swatch.

\*Audi exclusive paint is subject to factory approval. Visit your local Audi Centre for colour samples.

# A5 Sedan



Wheels & Tyres   A5		A5 TFSI S line	A5 TFSI Black Edition
C1I	Wheels, 5-arm aero, Black, gloss turned finish, 8.0Jx19, 245/40 R19 tyres	R 2,000	---
CE1	Audi Sport wheels, 5-twin-spoke, Black, 8.5J x 19, 245/40 R19 tyres	---	S
C8K	Audi Sport wheels, 5-twin-spoke, Black Metallic, 8.5Jx19, 245/40 R19 tyres	R 12,700	R 12,700
U36	Audi Sport wheels, 5-arm falx, Silk Matt Gray, gloss turned finish, 8.5J x 20, 245/35 R20 tyres	R 28,500	---
U43	Audi Sport wheels, 5-twin-spoke, Black Metallic, gloss turned finish, 8.5J x 20, 245/35 R20 tyres	R 27,000	R 27,000
F19	Audi Sport wheels, multi-spoke S, Black Metallic, gloss turned finish, 8.5J x 20, 245/35 R20 tyres	R 32,500	R 32,500
83P	Tyres 245/35 R20 95Y XL with run-flat properties	No cost	No cost
1G8	Tyre repair kit	R 1,000	R 1,000

19"



**45T**  
Standard  
S line



**CE1**  
Standard  
Black Edition



**C1I**  
Optional\*



**C8K**  
Optional

20"



**U36**  
Optional\*



**U43**  
Optional



**F19**  
Optional

\*Not available for Black Edition

--- = Not Available    S = Standard



## Optional equipment | A5

Equipment packages		A5 TFSI S line	A5 TFSI Black Edition
PQ6	<b>Tech plus</b> Matrix LED headlights, 360-degree surround view cameras, Front cross-traffic assist, Swerve assist, Front emergency brake assist, Rear side airbags, Pre-sense: front, side and rear, Digital key and Side assist and exit warning, Rear cross-traffic assist, Rear turn assist and Convenience Key	R 45,000	R 45,000
PQ7	<b>Tech pro</b> Digital OLED rear lights, Adaptive cruise assist plus, MMI front passenger display, Electric steering wheel adjustment, heating function for steering wheel, front and rear seats and S sport suspension with damper control	R 100,000	R 100,000
PYH	<b>MMI experience pro</b> Head-up display, B&O premium sound system and USB interfaces with higher charging capacity	R 44,000	R 44,000
Exterior equipment			
9TF	Entry LED with logo projection, front	R 2,500	R 2,500
6FQ	Exterior mirror housings in carbon	R 12,800	R 12,800
1D4	Trailer hitch, mechanically swiveling	R 21,600	R 21,600
3FP	<b>Panoramic glass roof with switchable transparency</b> The climate-controlled comfort panel consists of six segments that can be switched to either transparent or non-transparent. It is operated using a button in the roof module. Select a preset transparency or control the six segments like a “digital curtain”. (Excluding sunblind and without electric opening/closing function)	R 38,000	R 38,000
3Y4	Sunshade, manual for the door windows, rear	R 3,600	R 3,600
Interior and convenience			
4D3	Seat ventilation in front	R17,800	R17,800
QQ4	<b>Ambient Lighting package pro</b> Offers dynamic interaction light strip to animate the interior	R 6,000	R 6,000
AI1	Memory function for the driver seat and the exterior mirrors	R 4,100	R 4,100
2FS	Twin-spoke sport leather steering wheel, flat top and bottom, with multifunction and shift paddles	R 4,300	R 4,300

# A5 Sedan



## Optional equipment | A5

<u>Seats, upholstery and inlays</u>		A5 TFSI S line	A5 TFSI Black Edition
PWF	Interior with sport seats in leather/artificial leather combination, Beige, ventilated	No cost	No cost
PWT	Interior with sport seats in leather/artificial leather combination, Brown, ventilated	R 5,000	R 5,000
PWL	Interior S with sport seats in leather/artificial leather combination, Black	R 12,000	R 12,000
PWM	Interior S with sport seats in leather/artificial leather combination, Gray	R 12,000	R 12,000
PWO	Interior S with sport seats plus in leather, Black	R 67,000	R 67,000
YDG	Audi exclusive Interior S with sport seats in leather/artificial leather combination, Black-Cognac	R 142,000	R 142,000
YDH	Audi exclusive Interior S with sport seats plus in leather, Jet Grey-Ocean Blue	R 200,000	R 200,000
5MV	Inlays, matt brushed aluminum with linear embossing, Anthracite	No cost	No cost
5MC	Inlays, Chestnut Natural, Gray	R 3,600	R 3,600
5MK	Inlays, Carbon Micro Twill, Structure	R 7,700	R 7,700
QJ3	Interior trims in vanadium look	R 4,000	R 4,000
Q8D	Wraparound interior elements in Dinamica microfiber	R 1,500	R 1,500
4A3	Seat heating, front	R 7,500	R 7,500
5ZC	Variable head restraints for the front seats	R 2,500	R 2,500



## Optional equipment | A5

<u>Audio and communication</u>		A5 TFSI S line	A5 TFSI Black Edition
9VS	<b>Bang &amp; Olufsen 3D Premium Sound System</b> 16 loudspeakers incl. centre speaker and subwoofer, 16-channel amplifier with a total output of 685 watts, backlighting of the Bang & Olufsen logo in the front loudspeaker trims and speed-sensitive volume adjustment. Only available in combination with PYH.	No cost	No cost
8RT	<b>Bang &amp; Olufsen 3D Premium Sound System with head restraint loudspeakers</b> The 3D sound experience of the Bang & Olufsen 3D Premium Sound System is raised to a new level by the additional head restraint loudspeakers for the front seat, as well as surround sound, navigation commands and phone calls for the driver. In addition, it comprises a 20-channel amplifier with a total output of 810 watts.	R 27,500	R 27,500
9ZE	<b>Phone compartment with inductive charging function and antenna coupler for mobile communications</b>	R 6,000	R 6,000
GB1	<b>LTE support for Audi phone box</b>	No cost	No cost
JH1	<b>MMI front passenger display</b> 10.9-inch touch display with dynamic privacy mode. Only available in conjunction with PQ6; part of PQ7.	R 14,000	R 14,000



## Important information

### Welcome to Audi

#### **Audi Freeway Plan | Motoring Peace of Mind**

There can be no better motoring peace of mind than knowing that your car will be serviced, maintained and repaired, should this prove necessary, at no cost to you. Thanks to Audi Freeway Plan, that peace of mind could be yours.

The Audi Freeway Plan absorbs all maintenance and service costs, with the exception of between-service top-up fluids, fuel, cracked or broken glass, and tyres.

Recommended retail pricing is inclusive of an optional 5 year/100,000 km Audi Freeway Plan on all new Audi vehicles.

Top-up options to extend maintenance are available at extremely competitive rates. Audi has specially designed the Audi Freeway Plan for easy operation on the part of the owner. Making an appointment with any one of our approved Audi Servicing Dealers can effect regular servicing and maintenance as well as repairs (with the exception of accident damage).

All work is handled by the relevant service department, which will liaise directly with the Audi Freeway Plan Maintenance Unit. No extra effort or payment is required from the Audi owner. The Audi Freeway Plan is registered with the vehicle and as such is transferable to the new owner should the car be sold before the Audi Freeway Plan has expired, giving added resale value. The Audi Freeway Plan is available in addition to Audi's standard one-year/unlimited distance vehicle warranty. The Audi Freeway Plan is subject to certain exclusions, covers any repairs necessary after the expiry of the standard warranty.

#### **Audi Assist | Emergency and Personal Assistance**

Audi Assist is a programme whereby Audi of South Africa and its Dealer Network pledge to provide you with peace of mind motoring by providing the infrastructure to support a countrywide emergency service 24 hours a day, every day.

The programme is known as Audi Assist and operates within the borders of South Africa as well as Namibia and Botswana. The objective of the programme is to ensure on the spot roadside assistance offered by a fully equipped and trained Audi technician.

The primary focus is to get you mobile in your own vehicle. Where a roadside repair cannot be effected and the vehicle needs to be towed to the nearest Audi dealer, you and the occupants of the vehicle will be transported to a place of safety in the dealer's roadside assistance vehicle.

Contact details within South Africa:

086 043 4838

Contact details for neighbouring states:

+27 41 994 5616

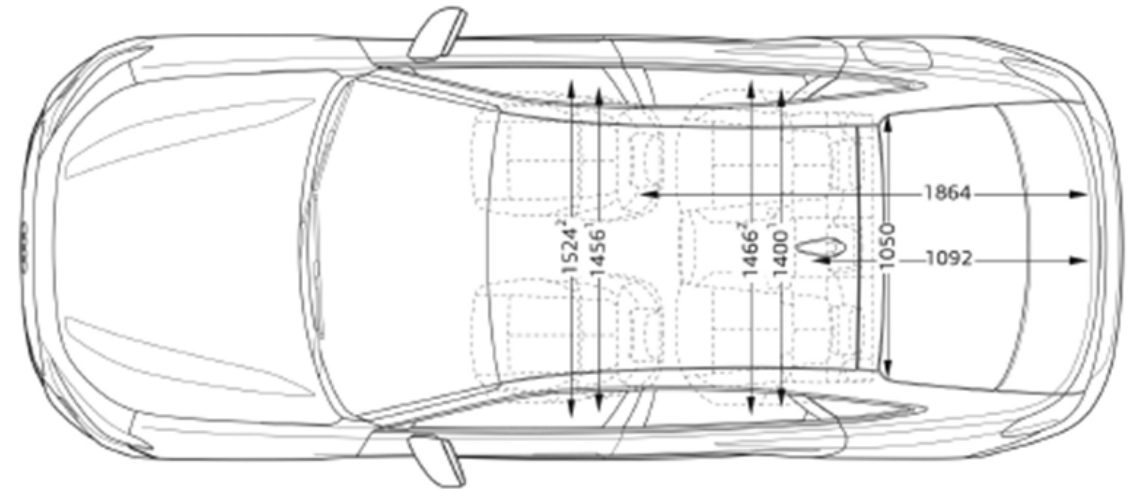
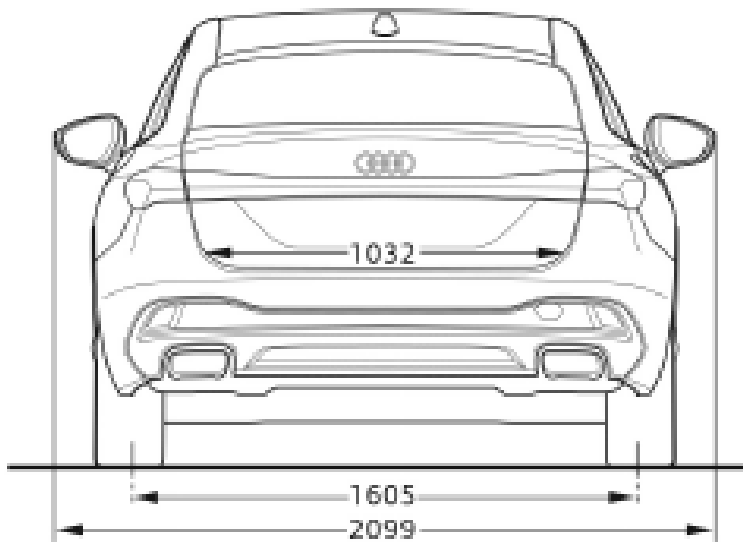
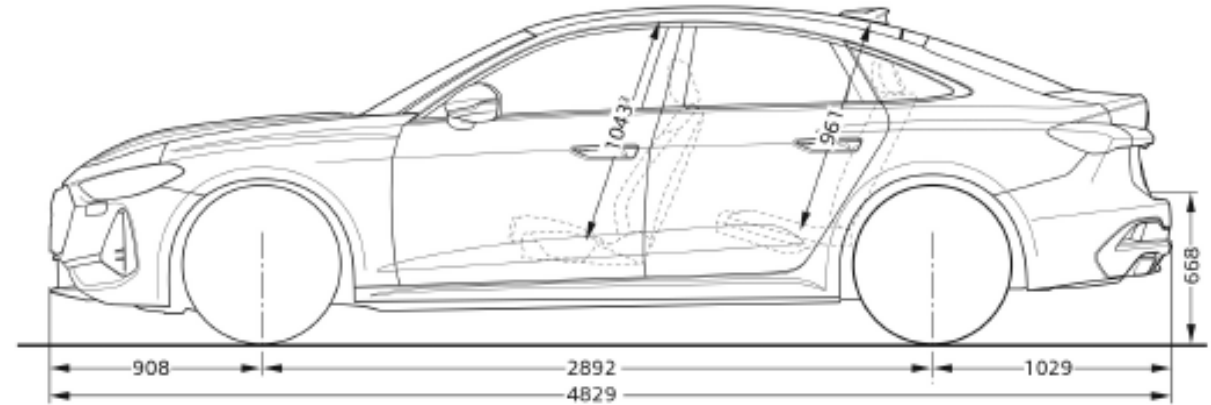
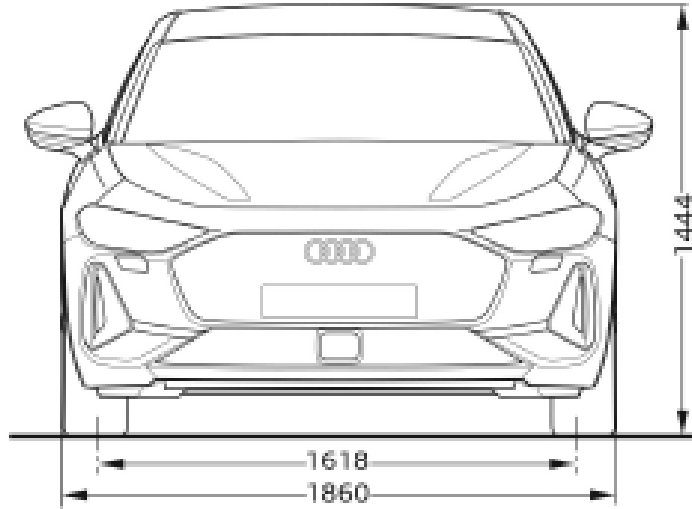
24 hours a day, 7 days a week

Vehicle model and VIN number will be required.

# A5 Sedan



## Audi A5 Sedan Dimensions



# A5 Sedan



## Information in this pricelist

We've done all we can to make the prices, specifications, technical details and all other information you see in this pricelist accurate at the time of publication. We reserve the right to change prices or specification at any time. All prices shown include VAT, which is currently charged at 15%. Recommended retail pricing is not binding on the dealer and is inclusive of an optional 5 year/100,000km Audi Freeway Plan. Pricing and specification is valid for vehicles produced from model year 2025 onwards. Local specification may vary from vehicle shown.

Please check model availability and full specification details with your Audi Dealership prior to ordering. Neither Audi South Africa nor Audi Dealers can accept contractual responsibility for your reliance on the information contained in this pricelist. Performance figures and specifications relating to Audi vehicles are indicative only and performance cannot be guaranteed. Performance figures and specifications may be updated from time to time, when new test results or other information become available. Your local Audi Dealership can always provide you with the most up-to-date information available. Written and visual depictions (including photographs) of vehicles, are for illustrative purposes only and should not be relied upon. Some illustrations may not accurately reflect South African specifications (including paint and trim colours) and may not be available. If in doubt, always contact your local Audi Dealership.